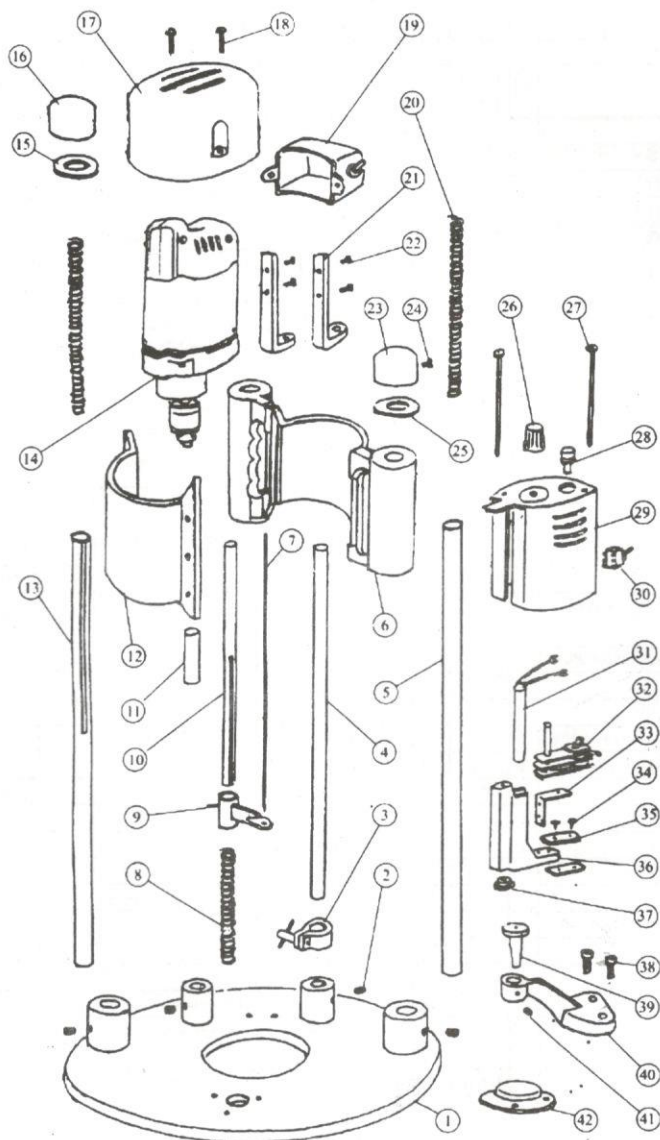


# 五、零件图

## SPARE PARTS



| 序号 | 名称              | 数量 | 零件号              | S/N | Name   | Qty    | Part No.         |
|----|-----------------|----|------------------|-----|--|--------|------------------|
| 1  | 底盘              | 1  | 1-1-17           | 1   | Bottom chassis                                 | 1      | 1-1-17           |
| 2  | 圆柱头内六角螺钉M5L=12  | 4  |                  | 2   | hexagonal socket head cap screw M5L=12         | 4      |                  |
| 3  | 限位缩套            | 1  | 1-1-5            | 3   | Stop collar                                    | 1      | 1-1-5            |
| 4  | 标尺              | 各1 | 1-1-21<br>1-2-21 | 4   | ruler  | Each 1 | 1-1-21<br>1-2-21 |
| 5  | 管柱              | 2  | 1-2-5            | 5   | Tubular pillar                                 | 2      | 1-2-5            |
| 6  | 机头手             | 1  | 1-1-1            | 6   | Machine head hand                              | 1      | 1-1-1            |
| 7  | 定点针             | 1  |                  | 7   | Fixed point needle                             | 1      |                  |
| 8  | 行程弹簧            | 1  |                  | 8   | Stroke spring                                  | 1      |                  |
| 9  | 弧架套             | 1  | 1-1-18           | 9   | Arc frame cover                                | 1      | 1-1-18           |
| 10 | 行程管             | 各1 | 1-1-22<br>1-2-22 | 10  | Stroke tube                                    | Each 1 | 1-1-22<br>1-2-22 |
| 11 | 定位套             | 1  |                  | 11  | Positioning sleeve                             | 1      |                  |
| 12 | 机头端盖            | 1  | 1-1-2            | 12  | End cover of machine head end cover            | 1      | 1-1-2            |
| 13 | 管柱              | 2  | 1-1-19           | 13  | Tubular pillar                                 | 2      | 1-1-19           |
| 14 | 电机              | 1  |                  | 14  | motor  | 1      |                  |
| 15 | 胶垫圈             | 1  |                  | 15  | Rubber washer                                  | 1      |                  |
| 16 | 管帽              | 1  | 1-1-11           | 16  | tube cap                                       | 1      | 1-1-11           |
| 17 | 电机上盖            | 1  | 1-1-3            | 17  | Upper cover of electric motor                  | 1      | 1-1-3            |
| 18 | 半圆头螺钉M5L=30     | 2  |                  | 18  | Semi-round head screw M5L=30                   | 2      |                  |
| 19 | 电器盒             | 1  |                  | 19  | Electrical case                                | 1      |                  |
| 20 | 工作弹簧            | 2  |                  | 20  | Working spring                                 | 2      |                  |
| 21 | 行程块             | 2  | 1-1-15           | 21  | Stroke block                                   | 2      | 1-1-15           |
| 22 | 圆柱头内六角螺钉M5L=12  | 4  |                  | 22  | hexagonal socket head cap screw M5L=12         | 4      |                  |
| 23 | 管幅              | 1  | 1-1-11           | 23  | Tubular amplitude                              | 1      | 1-1-11           |
| 24 | 圆柱头内六角螺钉M5L=12  | 2  |                  | 24  | hexagonal socket head cap screw M5L=12         | 2      |                  |
| 25 | 胶垫圈             | 1  |                  | 25  | Rubber cushion                                 | 1      |                  |
| 26 | 温控旋钮            | 1  |                  | 26  | Temperature control knob                       | 1      |                  |
| 27 | 半圆头螺钉M5L=105    | 2  |                  | 27  | Semi-round head screw M5L=105                  | 2      |                  |
| 28 | 指示灯             | 1  |                  | 28  | Indicator lamp                                 | 1      |                  |
| 29 | 温控外壳            | 1  | 1-2-3            | 29  | Outer case of temperature control              | 1      | 1-2-3            |
| 30 | 钮子开关            | 1  |                  | 30  | Button Switch                                  | 1      |                  |
| 31 | 电热管             | 1  |                  | 31  | Electric heating tube                          | 1      |                  |
| 32 | 温控开关            | 1  |                  | 32  | Temperature control switch                     | 1      |                  |
| 33 | 温控开关连板          | 1  | 1-2-2            | 33  | Connecting plate of temperature control switch | 1      | 1-2-2            |
| 34 | 外六角螺钉M5L=16     | 2  |                  | 34  | Outer hexagonal screw M5L=125                  | 2      |                  |
| 35 | 温控隔热板           | 1  |                  | 35  | Heat insulating plate                          | 1      |                  |
| 36 | 温控座             | 1  | 1-2-1            | 36  | Temperature- control seating                   | 1      | 1-2-1            |
| 37 | 温控发热套           | 1  | 1-2-4            | 37  | Temperature- control heating cover             | 1      | 1-2-4            |
| 38 | 圆柱头内六角螺钉M5L=125 | 2  |                  | 38  | hexagonal socket head cap screw M5L=125        | 2      |                  |
| 39 | 广钉套             | 1  | 1-1-7            | 39  | Wide needle guard                              | 1      | 1-1-7            |
| 40 | 广钉座             | 1  | 1-1-16           | 40  | Wide needle seating                            | 1      | 1-1-16           |
| 41 | 紧固螺钉M4L=8       | 1  |                  | 41  | Tightening screw M4L=8                         | 1      |                  |
| 42 | 水银              | 1  |                  | 42  | Mercury  | 1      |                  |