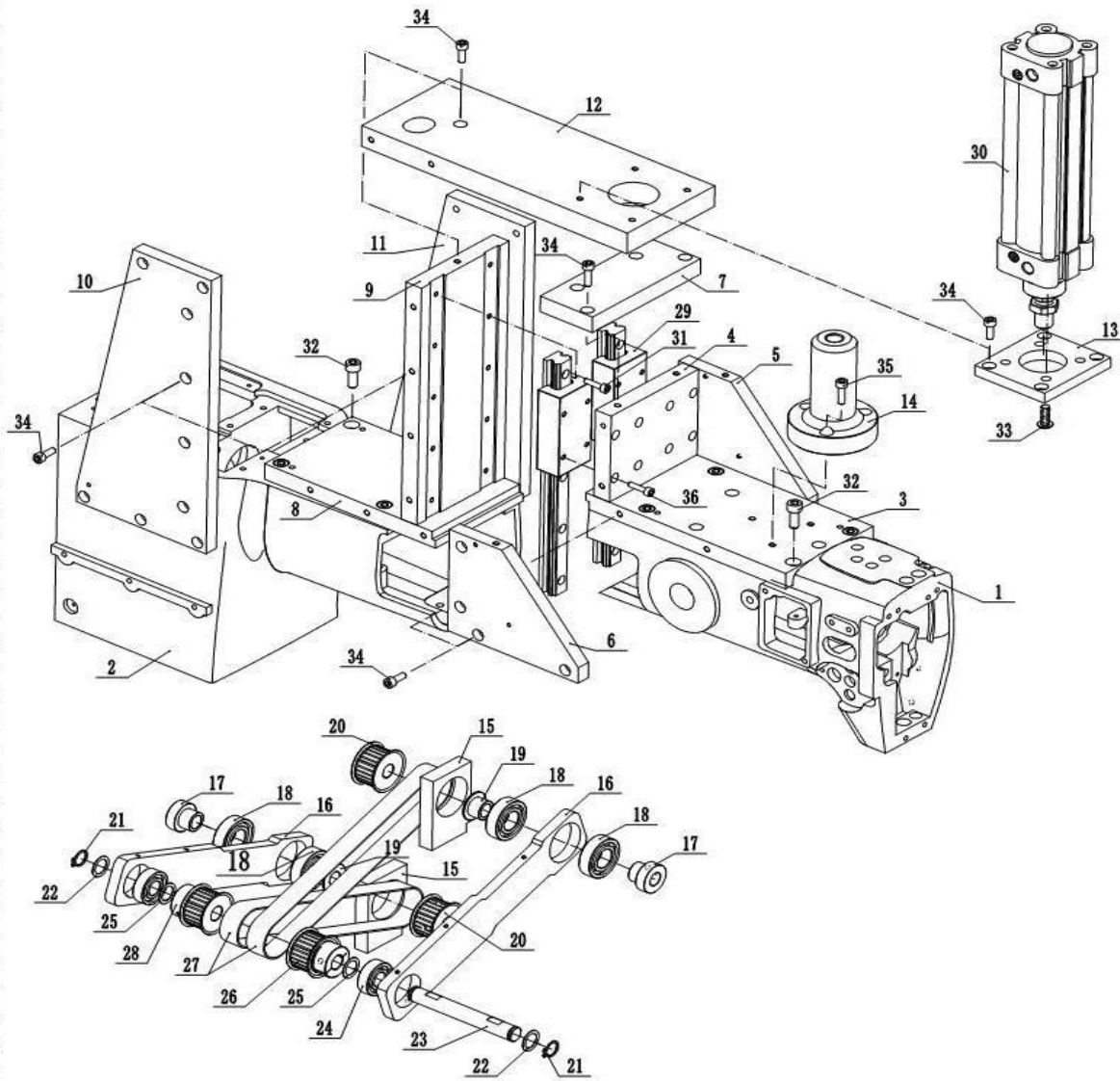
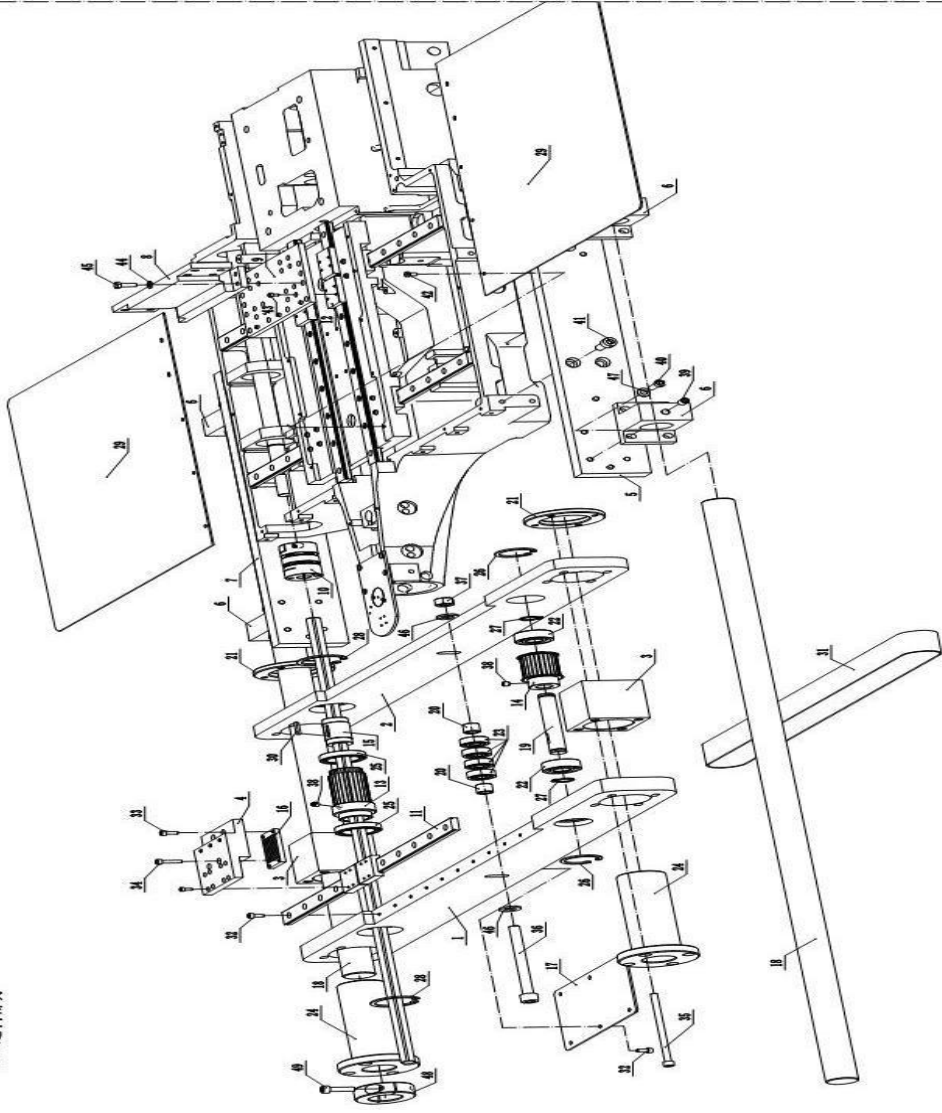


A-A机头升降部分



机头升降部分	Head lifting part		
参照号	零部件序号	数量	零部件名称/Part name
1		1	机头前半部分/Head front half
2		1	机头后半部分/Rear half of nose
3	XDKZ150-001	1	铝架前底板/Aluminum frame front floor
4	XDKZ150-002	1	铝架前滑块板/Aluminum frame front slider plate
5	KZ150-002	1	铝架前右侧板/Front right panel of aluminum frame
6	KZ150-003	1	铝架前左侧板/Front left panel of aluminum frame
7	XDKZ150-003	1	铝架前上盖板/Front upper cover panel of aluminum
8	XDKZ150-004	1	铝架后底板/Aluminum frame rear base plate
9	XDKZ150-005	1	铝架后导轨板/Rear guide rail plate of aluminum
10	KZ150-008	1	铝架后左侧板/Real left plate of aluminum frame
11	KZ150-009	1	铝架后右侧板/Real right plate of aluminum frame
12	XDKZ150-006	1	铝架后气缸安装板/Aluminum frame rear cylinder
13	KZ150-012	1	SAI50气缸法兰/SAI50 cylinder flange
14	KZ150-006	1	铝架前气缸连接座/Aluminum frame front cylinder
15	XDKZ150-010	2	上轴轴承座/Upper shafet bearing seat
16	XDKZ150-007	2	同步带轮安装板/Mounting plate for synchronous
17	XDKZ150-020	2	轴承套/bearing sleeve
18		4	6004轴承/6004 bearing
19	XDKZ150-021	2	轴承套-2/bearing sleeve-2
20	XDKZ150-022	2	5M-Z25-D14同步带轮/5M-Z25-D14 Timing pulley
21		2	D15轴用弹性挡圈/D15Externai Circlips
22		2	调整垫圈/Adjusting washer
23		1	同步带轮轴/Synchronous belt axle
24		2	6202轴承/6202 bearing
25		2	D15波型垫圈/D15Corrugated washer
26	XDKZ150-024	1	5M-Z25-D15-2同步带轮/5M-Z25-D15-2 Timing pulley
27		2	5M-575-20同步带/5M-575-20 Timing belt
28	XDKZ150-023	1	5M-Z25-D15同步带轮/5M-Z25-D15 Timing pulley
29		2	直线导轨组件/Linear guide assembly
30		1	SAI50气缸/SAI50 cylinder
31		12	M5*20内六角螺丝/M5*20Socket head cap screw
32		8	M8*20内六角螺丝/M8*20Socket head cap screw
33		4	M8*20半圆头内六角螺丝/M8*20Hexagon socket head
34		35	M6*16内六角螺丝/M6*16Socket head cap screw
35		3	M6*20内六角螺丝/M6*20Socket head cap screw
36		8	M5*16内六角螺丝/M5*16Socket head cap screw

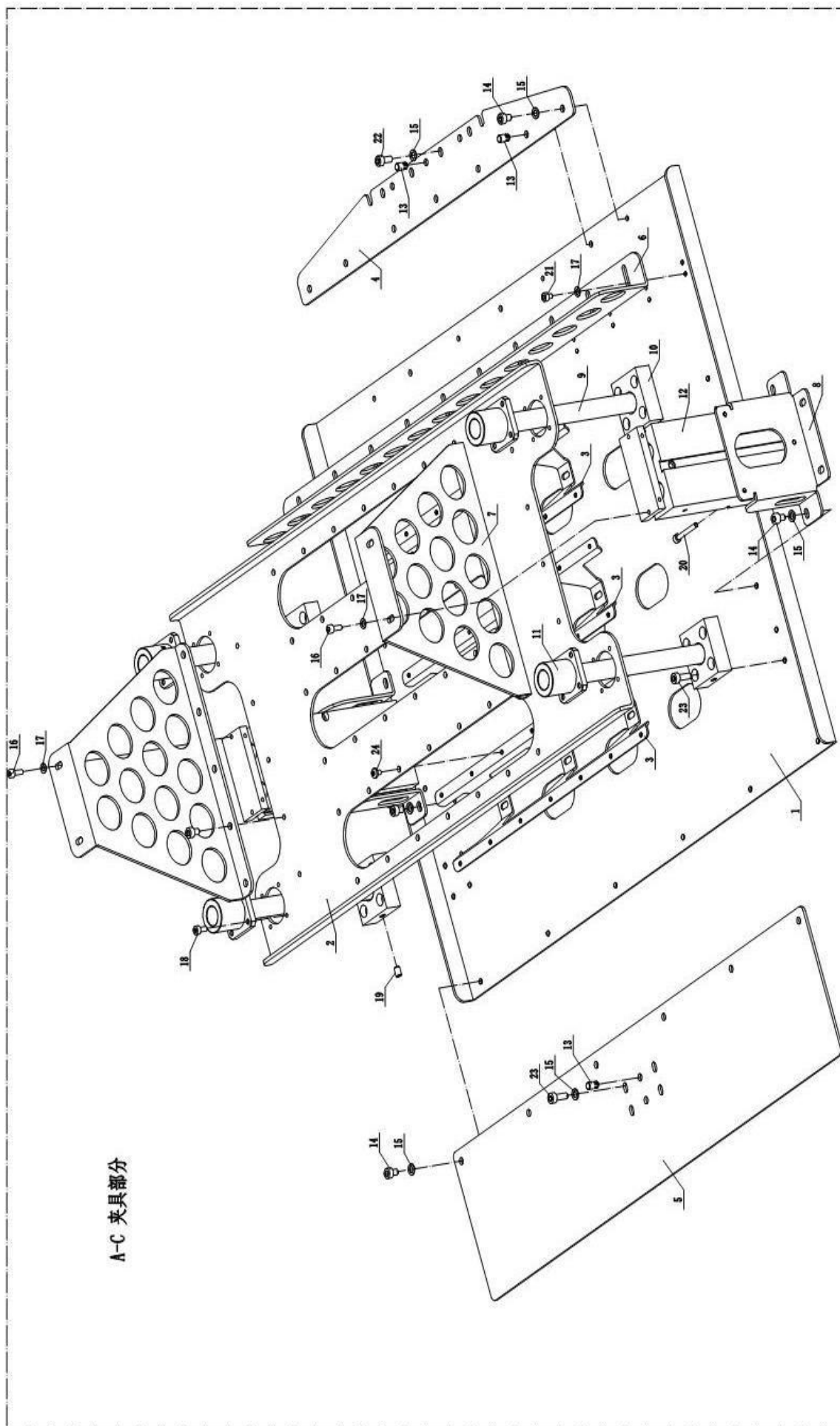
A-B送料部分



A-B 送料部分/Feeding part

参照号	零部件序号	数量	零部件名称/Part name
1	XDKZ-FZ-001	1	X导轨安装板/X guide rail mounting plate
2	XDKZ-FZ-002	1	X导轨支撑板/X guide rail support plate
3	XDKZ-FZ-003	2	定位板/Locating plate
4	XDKZ-FZ-004	1	夹具连接板/Clamp connecting plate
5	XDKZ-FZ-005	1	滑动支架底座-右/Sliding support base-right
6	XDKZ-FZ-006	4	光轴固定座/Optical axis fixing seat
7	XDKZ-FZ-007	1	滑动支架底座-左//Sliding support base-left
8	XDKZ-150-008	1	铝架/Aluminum frame
9	XDKZ-150-009	1	Y铝板/Y Aluminum plate
10		1	联轴器 (WQ-C32L41-13-15)/coupling (WQ-C32L41-13-15)
11		1	外置X导轨组件/External X guide rail assembly
12		2	Y导轨组件/Y rail assembly
13		1	外置X主动轮5M-Z22/External X driving wheel5M-Z22
14		1	外置X从动轮5M-Z22/External X driven wheel5M-Z22
15		1	SLT013滚珠花键组件/SLT013Spline as-roller
16	XDKZ-FZ-020	1	外置皮带压块/External belt pressing block
17	XDKZ-FZ-021	1	固定板/Fixing plate
18	XDKZ-FZ-022	2	30光轴/30 Optical axis
19	XDKZ-FZ-023	1	同步带轮轴/Synchronous belt axle
20	XDKZ-FZ-024	2	衬套/bushing
21	XDKZ-FZ-025	2	压紧板/Hold down plate
22		2	6202轴承/6202 Bearing
23		4	6000轴承/6000 Bearing
24		2	LFM30LUU直线轴承/LFM30LUU Linear bearing
25		2	61806轴承/61806 Bearing
26		2	35孔用垫圈/35 washer for hole
27		2	15轴用垫圈/15 washer for shaft
28		2	42孔用垫圈/42 washer for hole
29	XDKZ-FZ-026	2	防尘板/Dust shield
30		30	3*3*15平键/3*3*15 Flat key
31		1	同步带5M-1100-30/Timing belt 5M-1100-30
32		16	M4*10内六角螺丝/M4*10 Socket head cap screw
33		2	M4*12内六角螺丝/M4*12 Socket head cap screw
34		2	M4*20内六角螺丝/M4*20 Socket head cap screw
35		8	M6*100内六角螺丝/M6*100 Socket head cap screw
36		1	M10*100内六角螺丝/M10*100 Socket head cap screw
37		1	M10外六角螺母/M10 Outer hexagon nut
38		3	M6*6紧定螺钉/M6*6 Set screw
39		4	M8*10紧定螺钉/M8*10 Set screw
40		16	M6*20内六角螺丝/M6*20 Socket head cap screw
41		6	M8*20内六角螺丝/M8*20 Socket head cap screw
42		8	M4*8平头一字螺丝/M4*8 Flat head slotted screw
43		16	M3*6内六角螺丝/M3*6 Socket head cap screw
44		4	M5垫圈/M5 Washer
45		4	M5*16外六角螺丝/M5*16 Outer hexagon screw
46		2	M10垫圈/M10 Washer
47		16	M6垫圈/M6 Washer
48		1	SCS30光轴固定环/SCS30 Optical axis fixing ring
49		1	M6*20内六角螺丝/M6*20 Socket head cap screw

A-C 夹具部分



A-C 夹具部分/Fixture part

参照号	零部件序号	数量	零部件名称/Part name
1		1	底板/Floor
2		1	大压板/Large platen
3		3	小压脚/Small presser foot
4		1	连接板/Connecting plate
5		1	辅助连接板/Auxiliary Connecting plate
6		1	挡板/Baffle
7		2	气缸连接板/Cylinder Connecting plate
8		2	气缸安装板/Cylinder mounting plate
9		4	导柱/Guide post
10		4	导柱底座/Guide post base
11		4	LMF16UU直线轴承/LMF16UU Linear bearing
12		2	TDA25-125气缸/TDA25-125 Cylinder
13		7	M6*12定位销/Locating pin
14		28	M5*8内六角螺丝/Socket head cap screw
15		16	M5垫圈/M5 Washer
16		4	M4*12内六角螺丝/M4*12 Socket head cap screw
17		14	M4垫圈/M4 Washer
18		16	M4*12内六角螺丝Socket head cap screw
19		4	M6*8紧定螺钉/M6*8 Set screw
20		6	M4*30内六角螺丝/M4*12 Socket head cap screw
21		10	M4*6内六角螺丝/M4*6 Socket head cap screw
22		4	M5*12内六角螺丝/M5*12 Socket head cap screw
23		16	M5*16内六角螺丝/M5*16 Socket head cap screw
24		42	M4*6半圆头十字螺丝/M4*6 Half round head cross screw