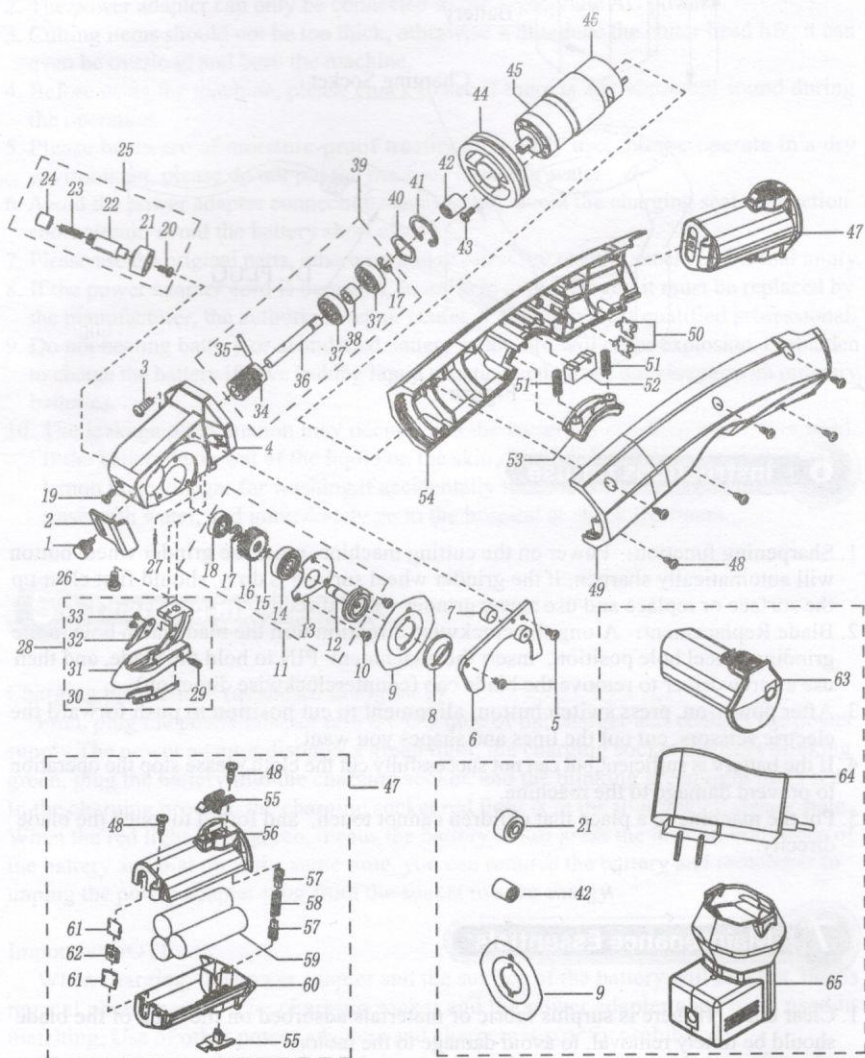


8

Parts Assembly Diagram



Model: C50

序号 Ref.no.	零件名称 Description	序号 Ref.no.	零件名称 Description
1	R42 护刀架螺丝 Safe guard screw	34	W32 蜗杆 Drive gear
2	C-2 护刀架 Safe guard	35	W33 蜗杆销 Drive gear pin
3	W31 机头螺丝 Screw for gear housing	36	W34 蜗杆轴 Drive gear shaft
4	W1 机头 Gear housing	37	W5 626 Bearing
5	W67 防护罩螺丝 Finger guard screw	38	W36 轴承隔套 Bearing spacer bush
6	C-6 防护罩 Finger guard	39	W74 蜗杆成套 Drive gear assembly
7	W28 油毡 Oil felt	40	W44 波形垫片 Wave washer
8	W10 刀片帽 Knife lock screw	41	W42 轴用挡圈 Collar
9	W9 刀片 Blade	42	W41 十字接 Coupling
10	W7 蜗轮挡圈螺丝 Screw	43	C-43 电机连接法兰螺丝 Motor connecting flange screw
11	W75 蜗轮成套 Worm wheel assembly	44	C-44 电机连接法兰 Motor connecting flange
12	W8 蜗轮轴 Worm wheel shaft	45	C-45 变速器 Speed changer
13	W6 蜗轮挡圈 Worm wheel ring	46	C1-20 单电机 Motor
14	W5 626 轴承 626 Bearing	47	C1-38 电池盒成套 Battery base complete set
15	W4 蜗轮轴销 Shaft pin	48	C1-1 外壳螺丝 Shell screw
16	W3 蜗轮 Worm wheel	49	C-49 外壳左 Housing left
17	W38 轴用挡圈 Collar	50	C1-22 电池弹片 Battery Spring
18	W2 696 轴承 696 Bearing	51	C1-23 开关弹簧 Switch spring
19	W16 砂轮轴套螺丝 Screw	52	C1-24 开关 Switch
20	W11 砂轮紧固螺钉 Grinder wheel screw	53	C-53 开关跳 Switch cover
21	W12 砂轮 Grinder wheel	54	C-54 外壳右 Housing right
22	W13 砂轮轴套 Grinder shaft	55	C1-30 电池盒锁扣 Battery buckle
23	W14 砂轮弹簧 Spring	56	C1-31 电池盒上块 Battery box upper block
24	W15 砂轮按钮 Push button	57	C1-32 电池盒导向柱 Battery box guide post
25	W71 砂轮成套 Grinder wheel assembly	58	C1-33 导向柱弹簧 Guide post spring
26	W25 压脚固定螺丝 Press foot screw	59	C1-34 电池 Battery
27	W26 压脚开口销 Press foot splitpin	60	C1-35 电池盒下块 Battery base lower block
28	W76 压脚成套 Press foot assembly	61	C1-37 正负极弹片 Positive and negative shrapnel
29	W24 下刀螺钉 Lower knife screw	62	C1-36 电池正负极隔离板 Battery positive&negative separator
30	W23 下刀 Lower knife	63	C1-45 直充电池成套 Direct-charging battery assembly
31	W20 压脚 Press foot	64	C1-49 充电器 Battery charger
32	W21 分布片 Guide plate	65	C1-39 充电座成套 Battery charger assembly
33	W22 分布片螺钉 Guide plate screw		